



EXP-1203

The 1203 fixture withstands extreme temperatures, explosion and fire hazards, as well as flammable gases and vapours. This driverless LED fixture can withstand temperatures up to 85°C with a CID2 classification rating.

Ideal for high heat environments, petrochemical complexes, painting facilities, offshore platforms, oil and gas complexes, and more.

KEY FEATURES:

- CID2 Group A, B, C, D
- CIID2 Group F & G
- CIII
- Temperature Rating of -40°C ~ +85°C
- 6KV Surge Protection Built-In
- Various Mounting Options
- Driverless Hazardous LED
- L70 Lifespan of **60,000 Hours**



SPECIFICATIONS

Luminous Efficacy	100lm/W
CCT	3000K, 5000K (Standard)
CRI	>Ra70 (5000K), Ra80 (3000K)
Beam Angle	>110°
Input Voltage	24V/ 120V / 277V / 480V
IP Rating	IP67
L70 Lifespan	60,000 Hours
Operating Temp.	-40°C up to +85°C
Warranty	65°C and Below - 5 Year Warranty 65°-85°C - 2 Year Warranty
Certifications	UL, cUL
Classifications	CID2 Group A, B, C, D CIID2 Group F & G CIII

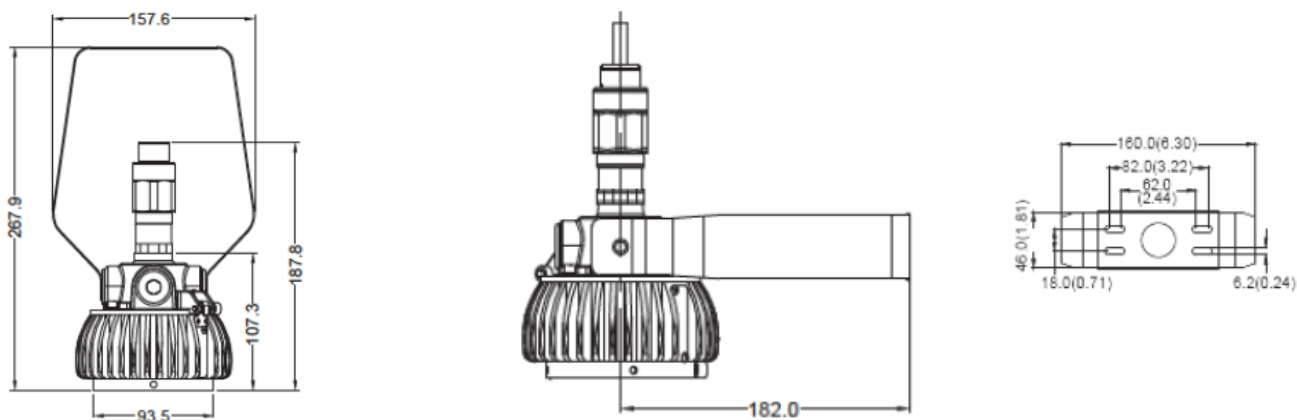


LUMENS	WATTAGE
2000 lm	20W



MOUNTING OPTIONS

WALL/HANGING MOUNT (WHT)

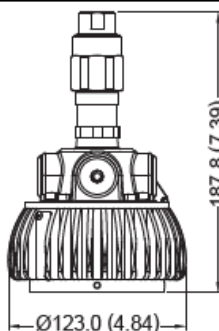


FIXTURE ORDERING MATRIX

Product Name	Wattage	Input Voltage	CCT	Classification	Options
BE-EXP-1203	20W	24V	3000K	CID2/CIID2/CIII	WHT Adjustable Wall/Hanging Mount SC Safety Cable SGS Surge Suppressor
		120V			
		277V	5000K (Standard)		
		480V			

Example: BE-EXP-1203-20W-120V-5000K-CID2-WHT

DIMENSIONS & SHIPPING INFORMATION



 **Canada**

Canadian Purchase Orders ship from our Canadian warehouse located at:

1178 Bighorn Ave
Pincher Creek, AB T0K 1W0
Canada

 **USA**

USA Purchase Orders ship from our US warehouse located at:

910 S. Industrial Park Road
Shelby, MT 59474
USA

 **SUPPORT:**

We sell exclusively through distributors. If you are a manufacturing plant, we are happy to work with you and your supplier of choice.

Our lead time on standard items is 5-7 business days.

For IES Files, lighting layouts or further questions, please contact one of our sales representatives.