

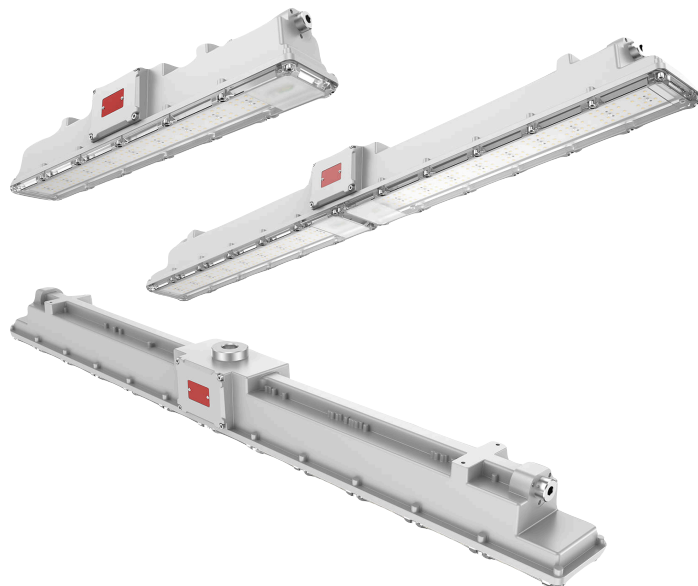
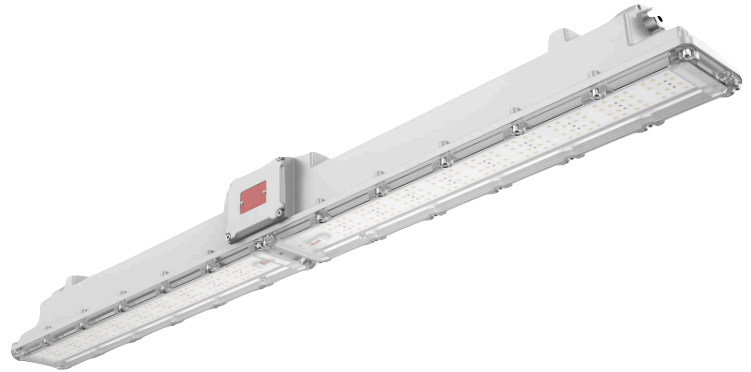
LED HAZLOC LINEAR

The EXP-LN06 linear fixture is hazardous rated with NEMA 4X and marine grade ratings suitable for indoor or outdoor harsh environments. This LED flood light fixture has classification ratings of CID2, CIID2, and CIII.

Ideal for petrochemical complexes, painting facilities, offshore platforms, oil and gas refineries, and more.

KEY FEATURES:

- CID2, CIID2, CIII
- IP66 / NEMA 4X
- UL1598A Marine Grade
- HV up to 480 Vac
- Emergency Battery Backup 9W at 1.5 Hours
- Built-in Surge Protection
- Waterproof, Dust-proof, Anti-Corrosion & Shock Resistance
- Clear polycarbonate lens



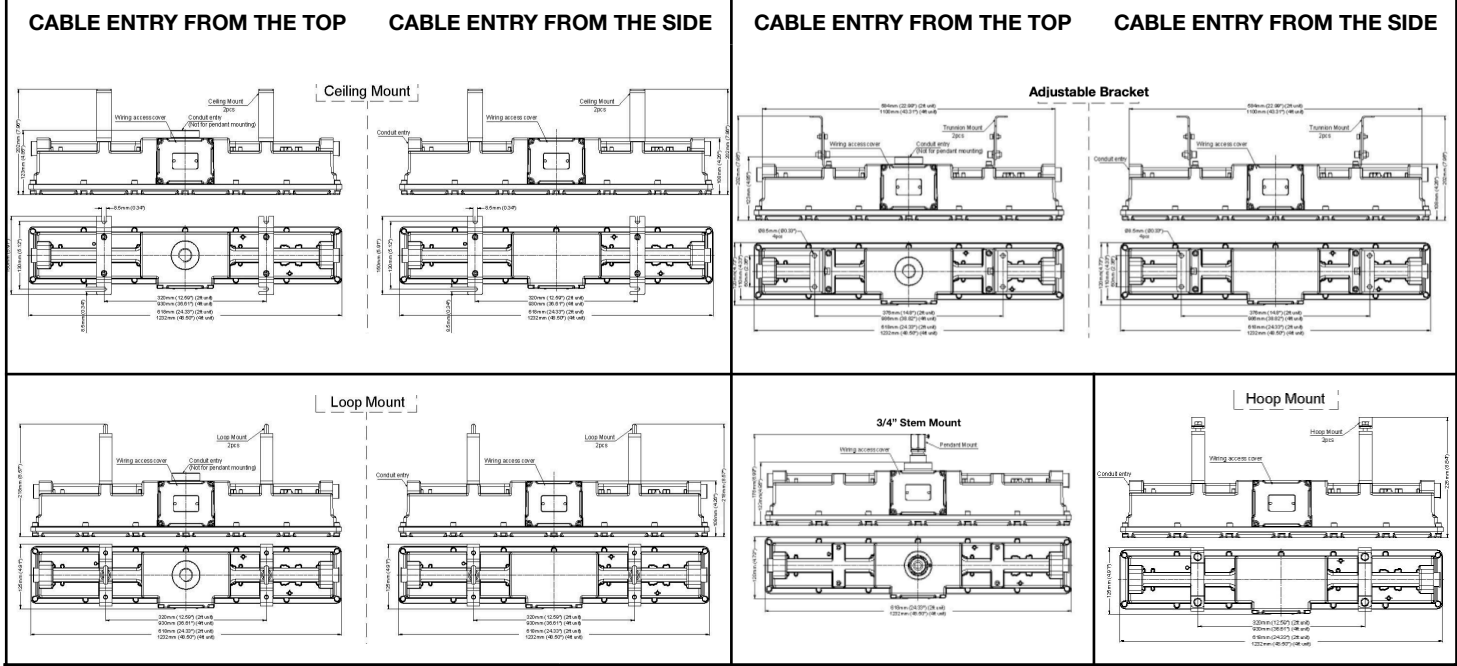
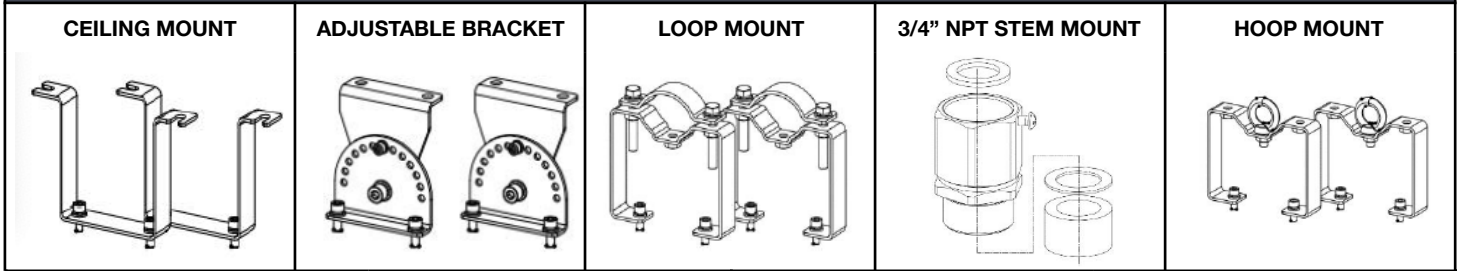
SPECIFICATIONS

| | |
|-------------------|--|
| Luminous Efficacy | 150 lm/W |
| CCT | 5000K (Standard) |
| CRI | Ra70 |
| Input Voltage | LV: 100-277Vac HV: 277-480Vac |
| IP Rating | IP66 / NEMA 4X / IK08 |
| Operating Temp. | 40°C to + 65°C |
| Cable Entry | Top Entry or Side Entry |
| Mounting Options | Ceiling, Adjustable Mount Bracket, Hoop, Loop, 3/4" Stem Mount |
| Driver | Inventronics |
| Warranty | 5 Years |
| Certifications | UL, cUL |

Classifications CID2 Groups A, B, C, D
 CIID2 Groups F, G
 CIII

| LUMENS | WATTAGE | SIZE |
|-----------|---------------|------|
| 15,000 lm | 100W | 4 FT |
| 12,000 lm | 80W | 4 FT |
| 9,000 lm | 60W | 4 FT |
| 6,000 lm | 40W (LV Only) | 2 FT |

MOUNTING OPTIONS



FIXTURE ORDERING MATRIX

| Product Name | Wattage | Length | Input Voltage | CCT | Classification | Cable Entry | Mounting Options |
|--------------|---------|--------|------------------|------------------|-----------------|---|--|
| BE-EXP-LN06 | 40W | 2FT | LV 100-277Vac | 5000K (Standard) | CID2/CIID2/CIII | TE Top Entry SE Side Entry | CM Ceiling Mount AB Adjustable Bracket LM Loop Mount 3/4 Stem 3/4" Stem Mount (Top Entry Only) HM Hoop Mount (Side Entry Only) |
| | 60W | 4FT | LV 100-277Vac | | | | |
| | 80W | | HV 277-480Vac | | | | |
| | 100W | | | | | | |

Example: BE-EXP-LN06-40W-2FT-LV-5000K-CID2-TE-CM



Canadian Purchase Orders ship from our Canadian warehouse located at:

1178 Bighorn Ave
Pincher Creek, AB T0K 1W0
Canada



USA Purchase Orders ship from our US warehouse located at:

910 S. Industrial Park Road
Shelby, MT 59474
USA



We sell exclusively through distributors. If you are a manufacturing plant, we are happy to work with you and your supplier of choice.

Our lead time on standard items is 5-7 business days.

For IES Files, lighting layouts or further questions, please contact one of our sales representatives.