

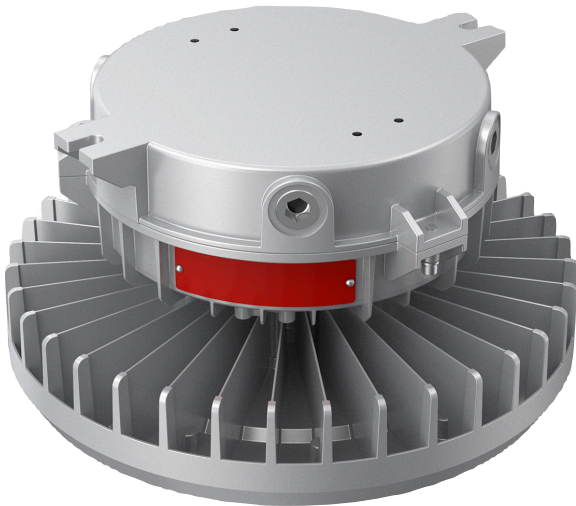
## UNIVERSAL HAZLOC LED

The EXP-RD05 fixture is hazardous rated with NEMA 4X and marine grade ratings suitable for indoor or outdoor harsh environments. This LED fixture has classification ratings of CID2, CIID1, CIID2, and CIII.

Ideal for petrochemical complexes, painting facilities, offshore platforms, oil and gas refineries, and more.

### KEY FEATURES:

- CID2, CIID1, CIID2, CIII
- IP66 / NEMA 4X
- UL1598A Marine Grade
- HV up to 480 Vac
- Temperature Rating of -40°C up to +65°C
- Loop to Loop Connection (2 Hole Entry & Exit with Terminal Blocks)
- Battery Backup 9W for 1.5 Hours (50W Only)
- 6 Easily Interchangeable Mounting Options



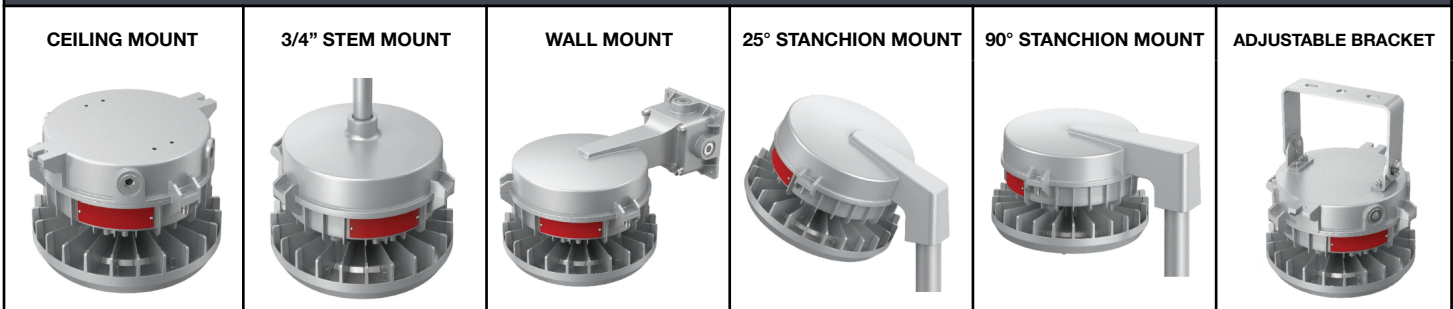
### SPECIFICATIONS

Luminous Efficacy	140lm/W
CCT	5000K (Standard)
CRI	Ra70
Beam Angle	D120
Input Voltage	LV: 120-277Vac HV: 277-480Vac
IP Rating	IP66 / NEMA 4X / IK08
Operating Temp.	-40°C to +65°C
Driver	Inventronics
Warranty	5 Years
Certifications	UL, cUL, CSA

Classifications	CID2 Groups B, C, D CIID1 Groups E, F, G CIID2 Groups F, G CIII
-----------------	--

LUMENS	WATTAGE
33,600 lm	240W
28,000 lm	200W
21,000 lm	150W
14,000 lm	100W
7,000 lm	50W

**MOUNTING OPTIONS**

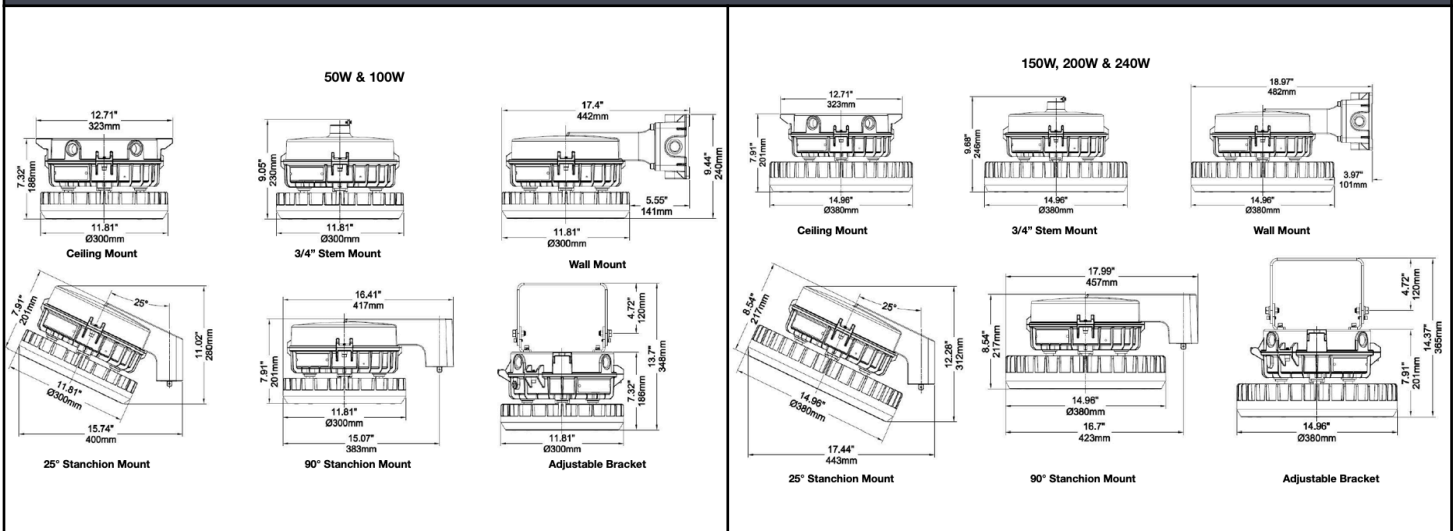


**FIXTURE ORDERING MATRIX**

Product Name	Wattage	Input Voltage	Lens	CCT	Classification	Options
<b>BE-EXP-RD05</b>	<b>50W</b> <b>100W</b> <b>150W</b> <b>200W</b> <b>240W</b>	<b>LV</b> 100-277Vac  <b>HV</b> 277-480Vac	<b>D120</b>	<b>5000K</b> (Standard)	<b>CID2/CIID1/CIID2/CIII</b>	<b>CM</b> Ceiling Mount <b>3/4 STEM</b> 3/4\"/>

Example: BE-EXP-RD05-50W-LV-D120-5000K-CID2-CM

**DIMENSIONS & SHIPPING INFORMATION**



**Canada**

Canadian Purchase Orders ship from our Canadian warehouse located at:

1178 Bighorn Ave  
 Pincher Creek, AB T0K 1W0  
 Canada



**USA**

USA Purchase Orders ship from our US warehouse located at:

910 S. Industrial Park Road  
 Shelby, MT 59474  
 USA



**SUPPORT:**

**We sell exclusively through distributors.** If you are a manufacturing plant, we are happy to work with you and your supplier of choice.

Our lead time on standard items is 5-7 business days.

For IES Files, lighting layouts or further questions, please contact one of our sales representatives.