

INDUSTRIAL LED FLOOD LIGHT

BE-FL27

The FL27 LED flood is built for harsh environments. It's made with anti-corrosion low copper housing and a galvanized bracket. Available with loop-in and loop-out cable entry to minimize wiring.

Ideal for heavy industrial sites and indoor and outdoor applications.

KEY FEATURES:

- Temperature Rating of -30°C up to +50°C
- Built-in 10kV Surge Protection
- Anti-Glare Control
- Pole Mounting Bracket Available
- Copper Housing for Corrosion Resistance
- Polycarbonate Lens
- Standard 5' Pigtail



INVENTRONICS

NICHIA



Dual Cable Entry Options for Daisy Chain Connection

SPECIFICATIONS

Luminous Efficacy	150lm/W
CCT	3000K, 4000K, 5000K (Standard)
CRI	Ra70
Input Voltage	LV: 100-277Vac HV: 277-480Vac
IP Rating	IP66
Lens Degree	55°x125°, 60°, 25°, 26°x60°
LED Driver	Sosen (LV) Inventronics (HV)
Chipset	Nichia
Operating Temp.	-30°C ~ +50°C
Warranty	5 Year Warranty
Certifications	UL, cUL, CE, RoHS

LUMENS	LED WATTAGE
45,000 lm	300W
36,000 lm	240W
30,000 lm	200W
22,500 lm	150W
15,000 lm	100W
7,500 lm	50W

MOUNTING OPTIONS

WALL MOUNT (STANDARD)



(STANDARD)

POLE MOUNTING ADAPTOR (PM)

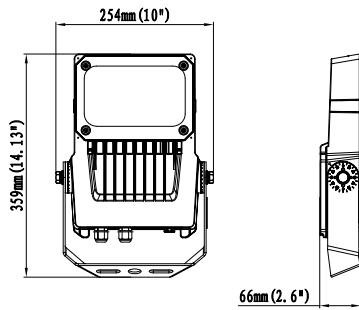


FIXTURE ORDERING MATRIX

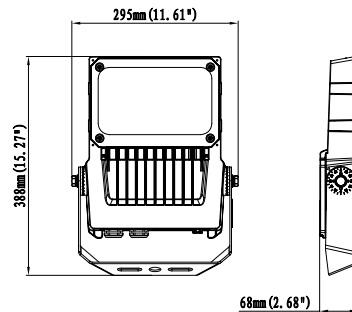
Product Name	Wattage	Input Voltage	Lens Degree	CCT	Options
BE-FL27	50W	LV 100-277Vac (Standard)	D55°x125°	3000K	WM Wall Mount (Standard) PM Pole Mount PT Pigtail (Standard is 5') 6' Pigtail (Optional) 10' Pigtail (Optional)
	100W		D60°		
	150W		D25°		
	200W	HV 277-480Vac	D26°x60°	4000K	
	240W			5000K (Standard)	
	300W				

Example: BE-FL27-50W-LV-D60-5000K-PM

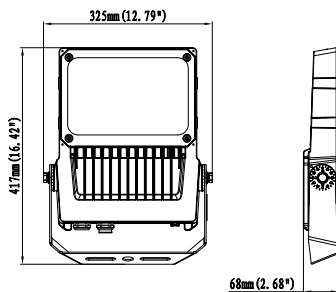
DIMENSIONS & SHIPPING INFORMATION



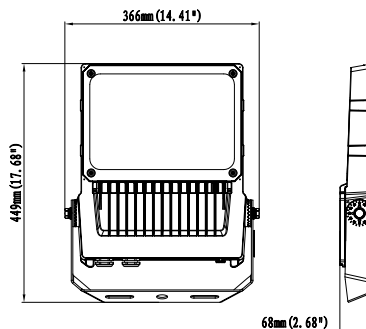
50W
3.5 kg (7.7 lbs)



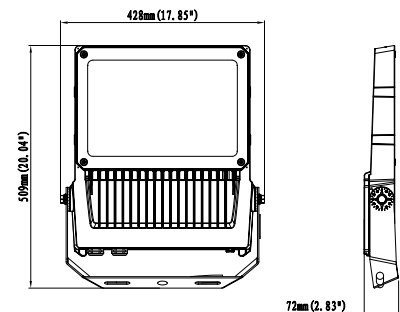
100W
4.3 kg (9.5 lbs)



150W
5.2 kg (11.5 lbs)



200W
6.1 kg (13.4 lbs)



240W & 300W
8.4 kg (18.5 lbs)