

# INDUSTRIAL HIGH-TEMPERATURE BULB

## BE-HH38

The HH38 is an industrial-grade LED bulb that can be installed into a traditional lighting fixture with an E26 or E39 socket. It is rated IP66 for outdoor/wet locations.

This high-temp LED bulb can be used in extremely cold environments  $-95^{\circ}\text{C}/-130^{\circ}\text{F}$  as well as high temperature areas with a temperature rating up to  $+105^{\circ}\text{C}$  ( $222^{\circ}\text{F}$ ).

### KEY FEATURES:

- **AC Direct Driven Circuit** (No Capacitor)
- **IP66 Waterproof** (Outdoor/Wet Location)
- **$-95^{\circ}\text{C}$  up to  $+105^{\circ}\text{C}$**  ( $-130^{\circ}\text{F}$  up to  $222^{\circ}\text{F}$ )
- **Easy Maintenance**
- **E26 Socket** (E39 Adapter)
- **Tempered Glass** for High Temperature Environments
- **Thermal Insulation Body**
- **$45^{\circ}$  Reflector Included**



### SPECIFICATIONS

<b>Wattage</b>	55W
<b>Lumens</b>	5,000lm
<b>Luminous Efficacy</b>	90lm/W
<b>CCT</b>	5000K
<b>CRI</b>	70
<b>Beam Angle</b>	$110^{\circ}$ (Bulb Only)
<b>Input Voltage</b>	120-277Vac
<b>IP Rating</b>	IP66
<b>Operating Temp</b>	$-95^{\circ}\text{C}$ up to $+105^{\circ}\text{C}$ ( $-130^{\circ}\text{F}$ up to $+222^{\circ}\text{F}$ )
<b>Nominal Lifetime</b>	30,000 Hours
<b>Base</b>	E26 / E39 Adapter
<b>Reflectors</b>	$45^{\circ}$
<b>Included</b>	E39 Adapter & $45^{\circ}$ Reflector
<b>Dimensions</b>	120 mm Wide x 135 mm High



**BEAM ANGLE OPTIONS**

**110°  
(STANDARD)**



**45° REFLECTOR  
(STANDARD)**

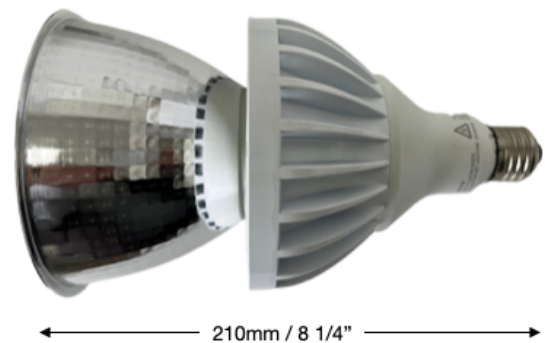
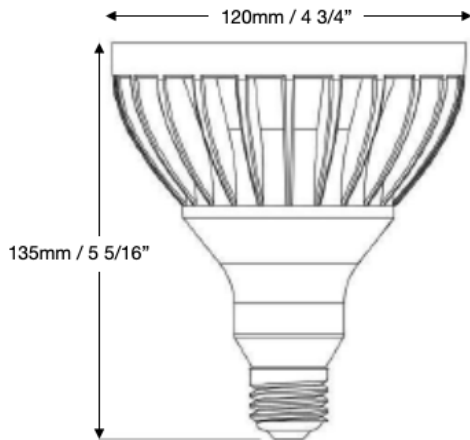


**FIXTURE ORDERING MATRIX**

Product Name	Wattage	Lens Degree
<b>BE-HH38</b>	<b>55W</b>	<b>D110</b> 110° / 45° Reflector (Standard)

**Example: BE-HH38-55W-D110**

**DIMENSIONS**



 **Canada**

Canadian Purchase Orders ship from our Canadian warehouse located at:

1178 Bighorn Ave  
 Pincher Creek, AB T0K 1W0  
 Canada

 **USA**

USA Purchase Orders ship from our US warehouse located at:

910 S. Industrial Park Road  
 Shelby, MT 59474  
 USA

 **SUPPORT:**

**We sell exclusively through distributors.** If you are a manufacturing plant, we are happy to work with you and your supplier of choice.

Our lead time on standard items is 5-7 business days.

For IES Files, lighting layouts or further questions, please contact one of our sales representatives.