

# HIGH TEMP LOCATION LIGHT - HH03 - CID2

## BE-HH03

The HH03 fixture withstands extreme temperatures, explosion and fire hazards, as well as flammable gases and vapours. This driverless LED fixture can withstand temperatures up to 100°C with a CID2 classification rating.

Ideal for high heat environments, petrochemical complexes, painting facilities, offshore platforms, oil and gas complexes, and more.

### KEY FEATURES:

- CID2 Group A, B, C, D
- Temperature Rating of -40°C up to +100°C
- Built-In 6kV Surge Protection
- Mounting Options
- Driverless Hazardous LED
- L70 Lifespan of >60,000 Hours



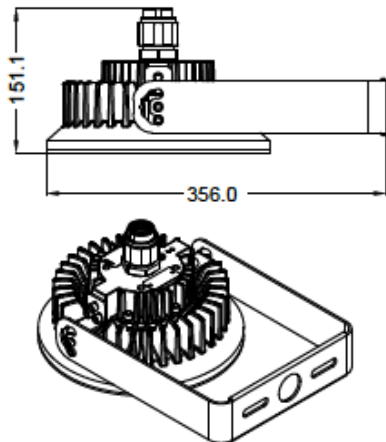
### SPECIFICATIONS

<b>Luminous Efficacy</b>	100lm/W
<b>CCT</b>	3000K, 5000K (Standard)
<b>CRI</b>	>Ra 70 (5000K), >Ra 80 (3000K)
<b>Beam Angle</b>	>110°
<b>Input Voltage</b>	120V / 277V
<b>IP Rating</b>	IP67
<b>L70 Lifespan</b>	>60,000 Hours
<b>Operating Temp.</b>	-40°C to +100°C (30W-60W) -40°C to +85°C (80W)
<b>Warranty</b>	66°C-85°C - 2 year Warranty 86°C-100°C - 1 Year Warranty
<b>Certifications</b>	UL, cUL
<b>Classifications</b>	CID2 Group A, B, C, D

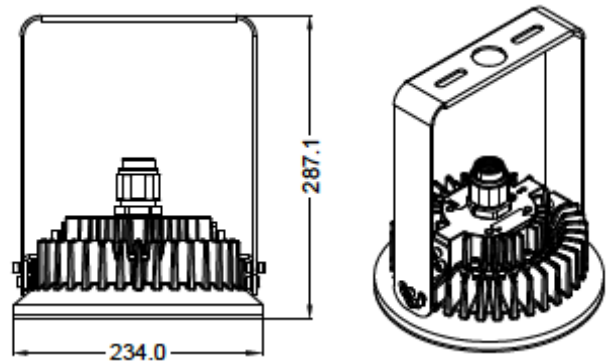
LUMENS	LED WATTAGE
8,000 lm	80W
6,000 lm	60W
5,000 lm	50W
4,000 lm	40W
3,000 lm	30W

## MOUNTING OPTIONS

### WALL MOUNT 90 (WHT)



### HANGING MOUNT 90 (WHT)

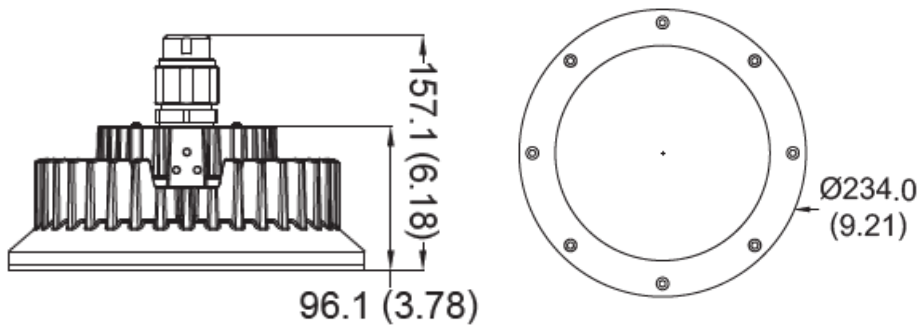


## FIXTURE ORDERING MATRIX

Product Name	Wattage	Input Voltage	CCT	Classification	Options
BE-HH03	30W	120V 277V	3000K 5000K (Standard)	CID2	<b>WHT</b> Adjustable Wall / Hanging Mount <b>SC</b> Safety Cable <b>SGS</b> Surge Suppressor
	40W				
	50W				
	60W				
	80W				

Example: BE-HH03-30W-120V-5000K-CID2-WHT-SC-SGS

## DIMENSIONS & SHIPPING INFORMATION



**Fixture Weight:** 12 lbs  
**Fixture w/ Bracket Weight:** 14 lbs