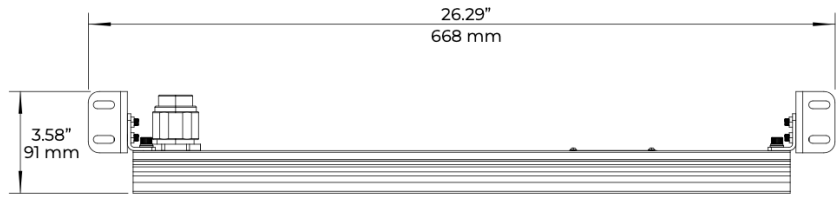
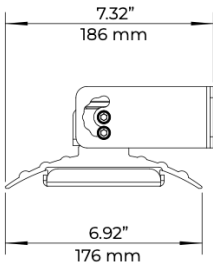
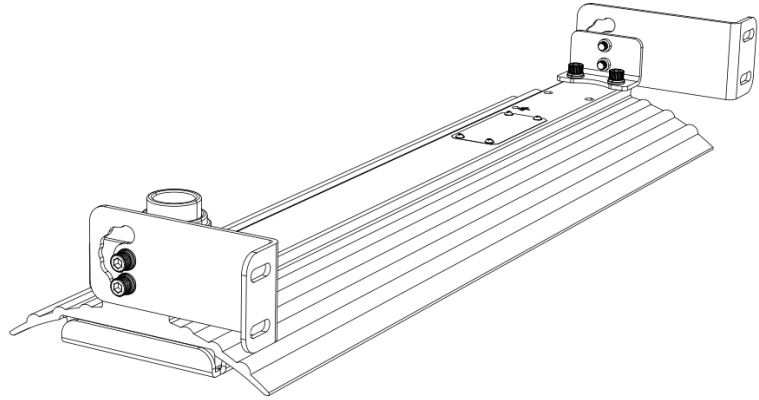
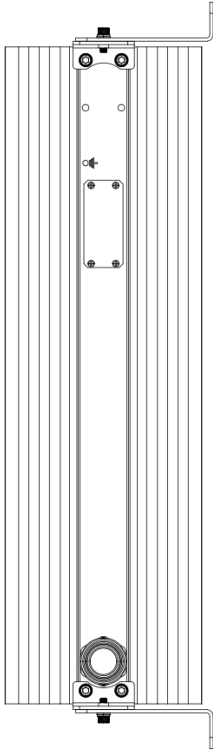


## PRODUCT DIMENSIONS



### SPECIFICATIONS

PRODUCT NAME:	BE-EXP-1319C-2FT
PART NUMBER:	BE-EXP-1319C-2FT-WHT
WEIGHT:	13.10 Lbs (5.94 Kgs)
DIMENSIONS:	26.29"x7.32"x3.58" (668mm x186mm x91mm)
OPTIONS:	Adjustable Wall/Hanging Bracket

**LED**<sup>®</sup> **RUGGED PRODUCTS**  
**IN ACTION** **FOR HARSH ENVIRONMENTS**