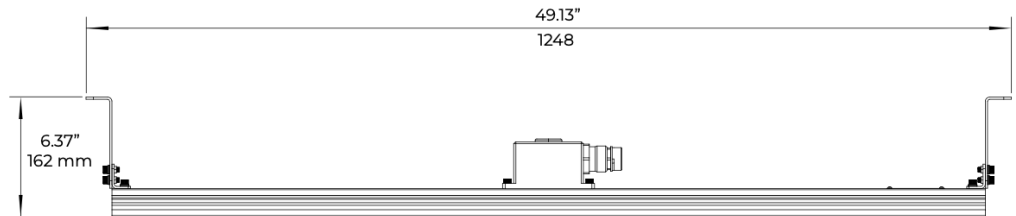
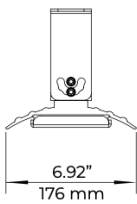
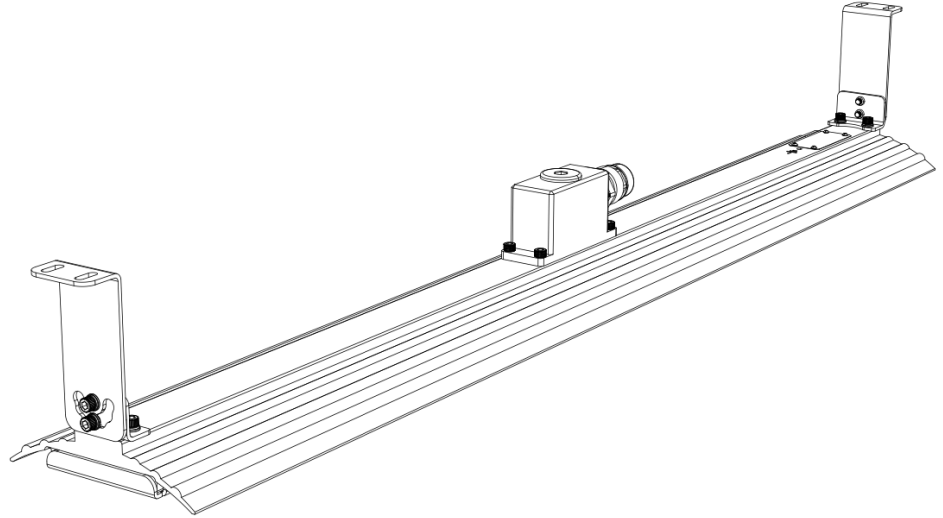
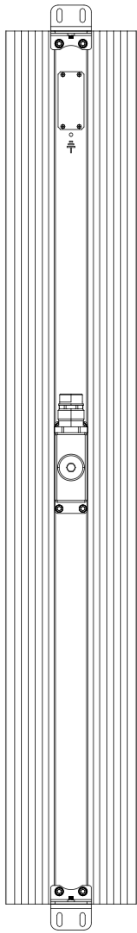


## PRODUCT DIMENSIONS



### SPECIFICATIONS

|               |   |
|---------------|---|
| PRODUCT NAME: | BE-EXP-1319C-4FT                          |
| PART NUMBER:  | BE-EXP-1319C-4FT-WHT                      |
| WEIGHT:       | 30.3 Lbs (13.73 Kgs)                      |
| DIMENSIONS:   | 49.13"x6.92"x6.37" (1248mm x176mm x162mm) |
| OPTIONS:      | Adjustable Wall/Hanging Bracket           |

**LED**<sup>®</sup> **RUGGED PRODUCTS**  
**IN ACTION** **FOR HARSH ENVIRONMENTS**