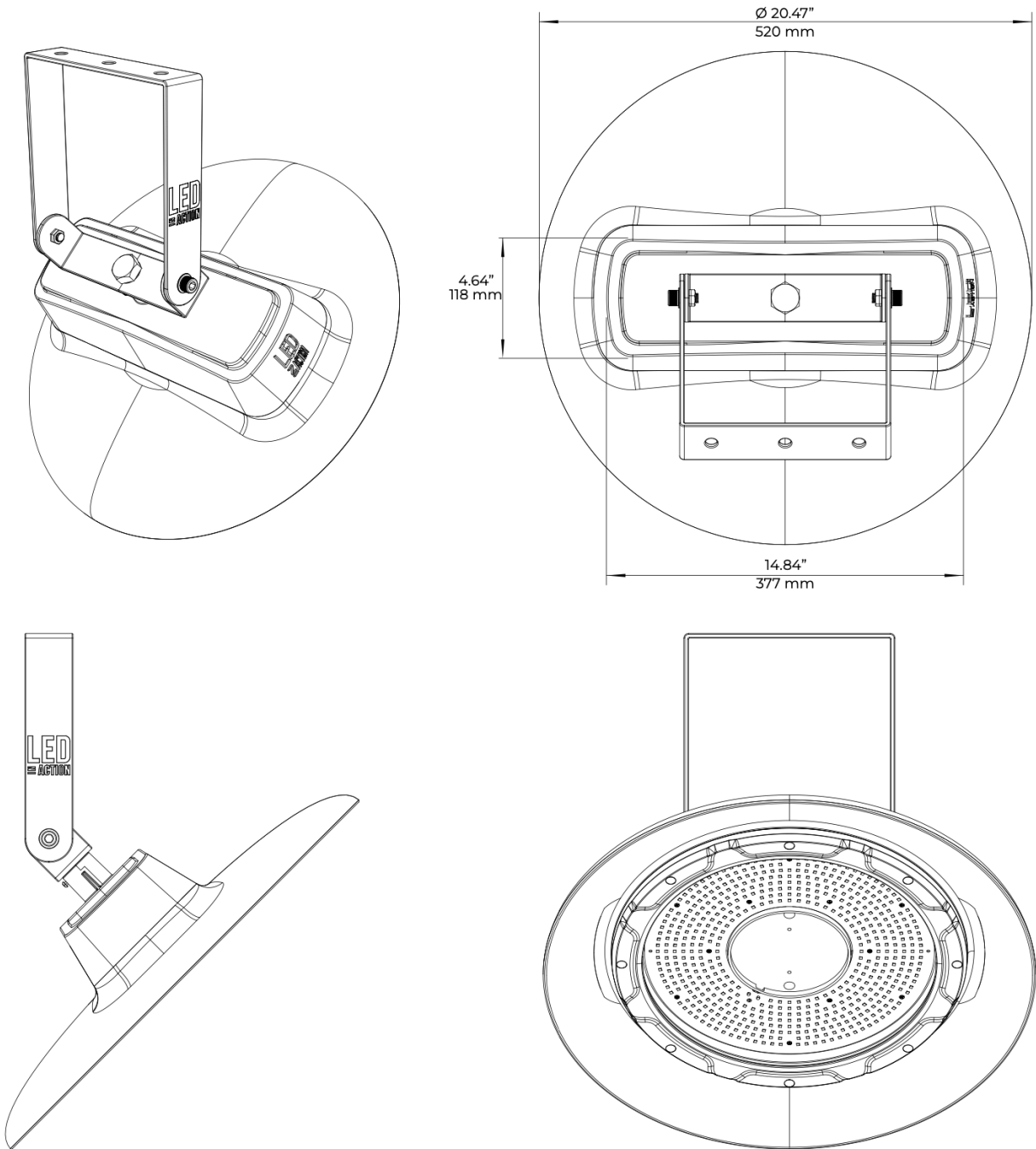


PRODUCT DIMENSIONS

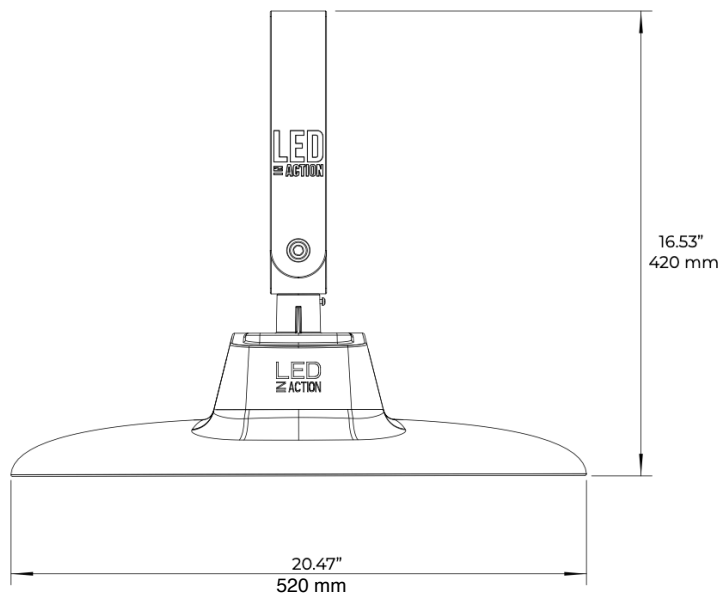
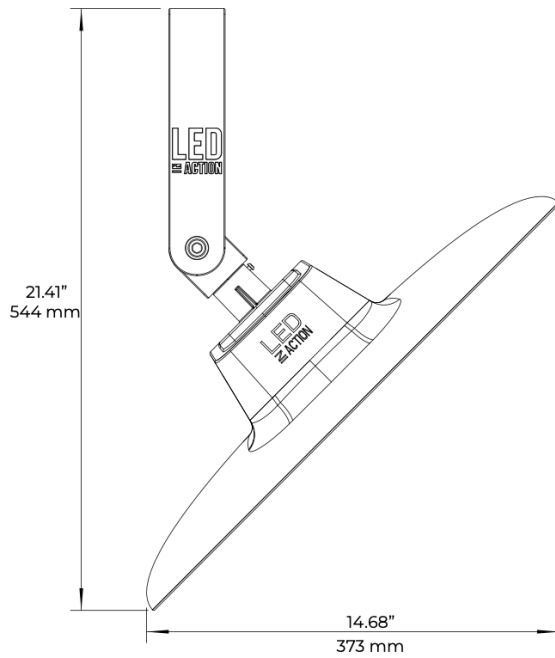
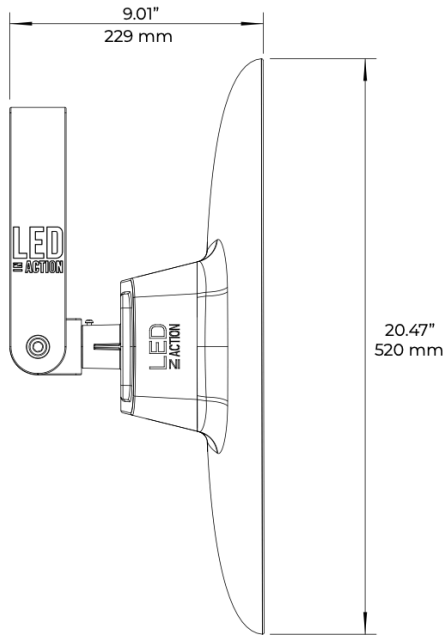


SPECIFICATIONS

PRODUCT NAME:	BE-HCP06
PART NUMBER:	BE-HCP06-15
WEIGHT:	25 Lbs (11.34 Kgs)
DIMENSIONS:	Variable-Adjustable Angle
OPTIONS:	Bracket 15

LED[®] **RUGGED PRODUCTS**
IN ACTION **FOR HARSH ENVIRONMENTS**

PRODUCT DIMENSIONS



SPECIFICATIONS

PRODUCT NAME:	BE-HCP06
PART NUMBER:	BE-HCP06-15
WEIGHT:	25 Lbs (11.34 Kgs)
DIMENSIONS:	Variable-Adjustable Angle
OPTIONS:	Bracket 15

LED
IN ACTION[®] **RUGGED PRODUCTS**
FOR HARSH ENVIRONMENTS