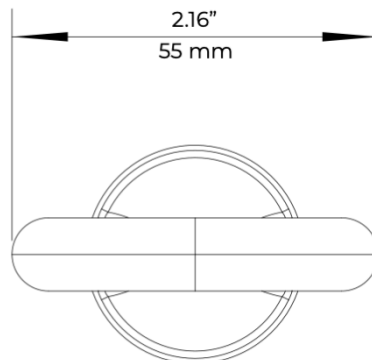
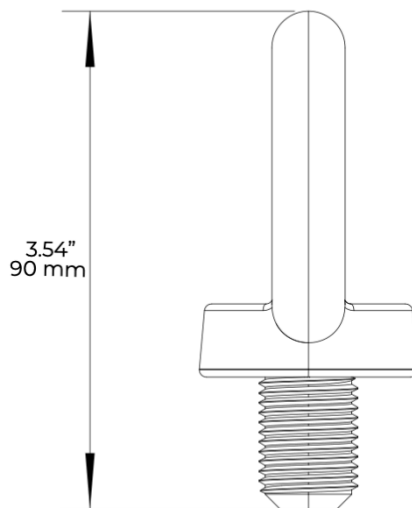
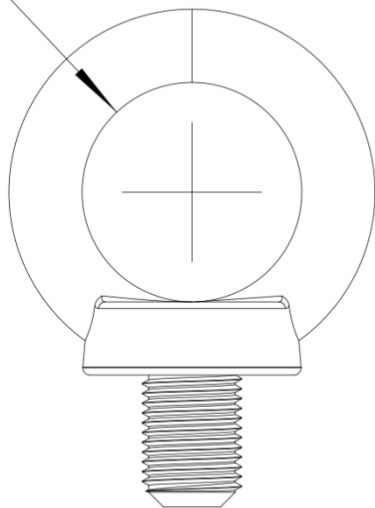


## PRODUCT DIMENSIONS



Ø 1.18"  
30 mm



### SPECIFICATIONS

PRODUCT NAME:	Loop (Standard)
PART NUMBER:	BE-HCP06
WEIGHT:	0.20 Lbs (0.09 KKgs)
DIMENSIONS:	2.16"x1.18"x3.54" (55mmx30mmx90mm)
OPTIONS:	BE-HCP06

**LED**  
IN ACTION<sup>®</sup> **RUGGED PRODUCTS**  
FOR HARSH ENVIRONMENTS