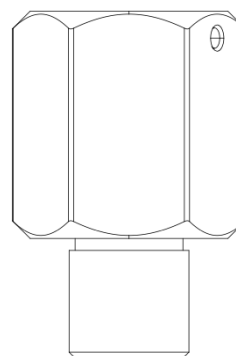
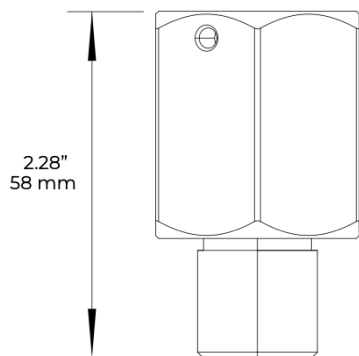
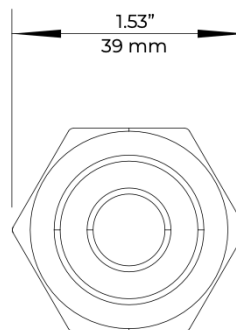
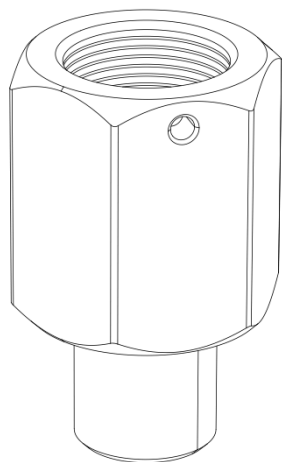


## PRODUCT DIMENSIONS



### SPECIFICATIONS

PRODUCT NAME:	3/4 NPT
PART NUMBER:	NPT
WEIGHT:	0.2 Lbs (0.09 Kgs)
DIMENSIONS:	1.53"x1.53"x2.28 (39mmx39mmx58mm)
OPTIONS:	BE-HCP06

**LED**<sup>®</sup> **RUGGED PRODUCTS**  
**IN ACTION** **FOR HARSH ENVIRONMENTS**