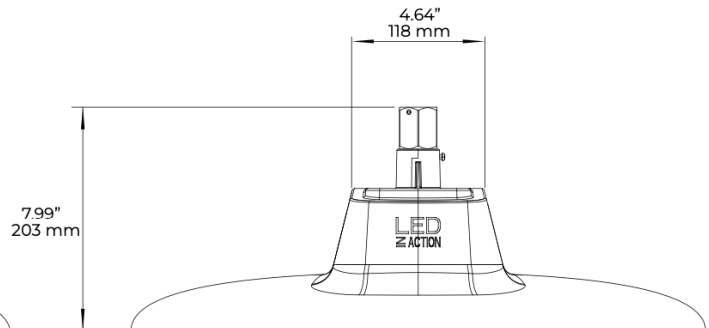
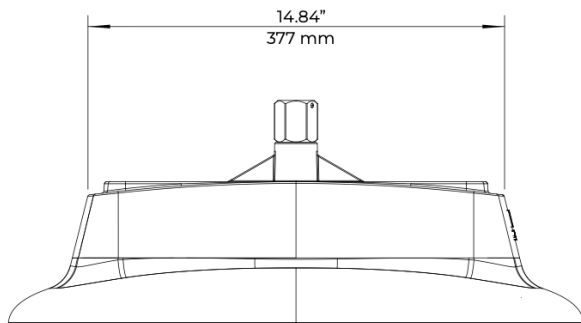
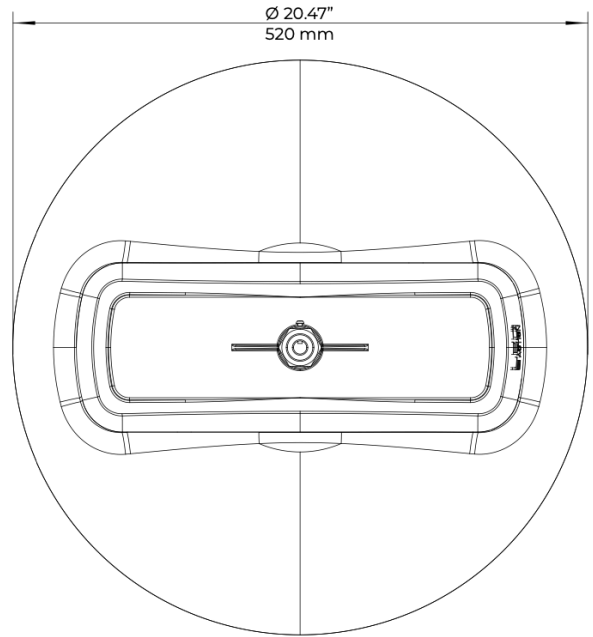
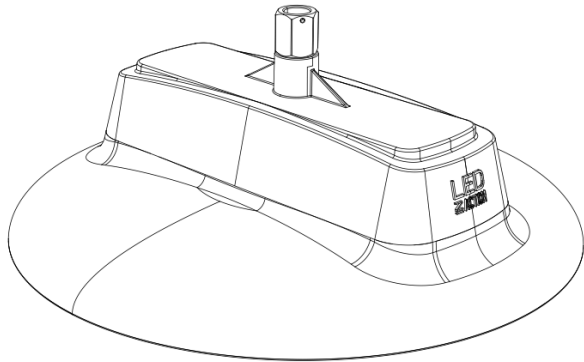


## PRODUCT DIMENSIONS



### SPECIFICATIONS

PRODUCT NAME:	BE-HCP06
PART NUMBER:	BE-HCP06-NPT
WEIGHT:	21 Lbs (9.52 Kgs)
DIMENSIONS:	20.47"x20.47"x7.99" (520mmx520mmx203mm)
OPTIONS:	3/4 NPT

**LED**<sup>®</sup> **RUGGED PRODUCTS**  
**IN ACTION** FOR HARSH ENVIRONMENTS