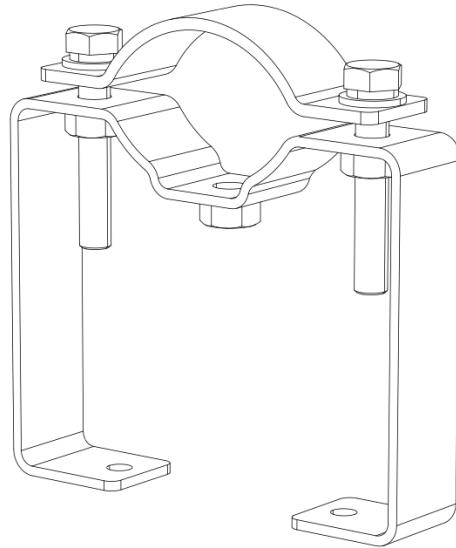
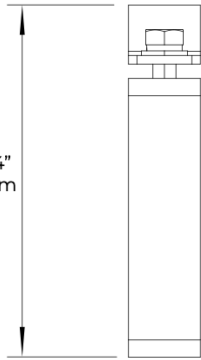


PRODUCT DIMENSIONS

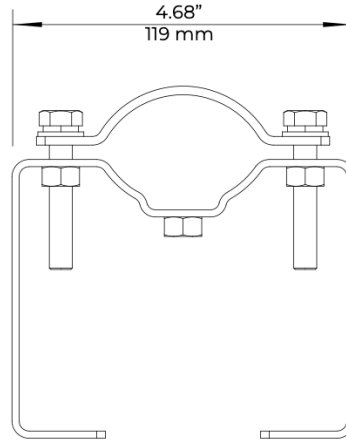
0.98"
25 mm



4.84"
123 mm



4.68"
119 mm



SPECIFICATIONS

PRODUCT NAME:	Conduit Mount
PART NUMBER:	BE-LN06-CDM
WEIGHT:	1.2 Lbs (0.54 Kg)
DIMENSIONS:	4.68"x0.98"x4.84" (119mm x25mm x123mm)
OPTIONS:	BE-LN06

LED[®] **RUGGED PRODUCTS**
IN ACTION **FOR HARSH ENVIRONMENTS**