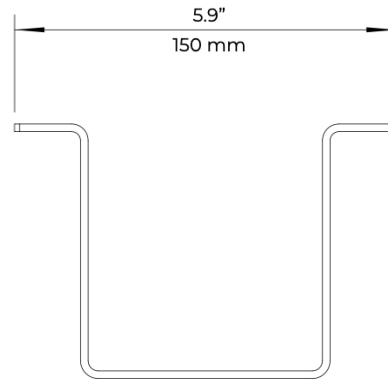
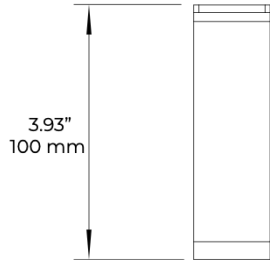
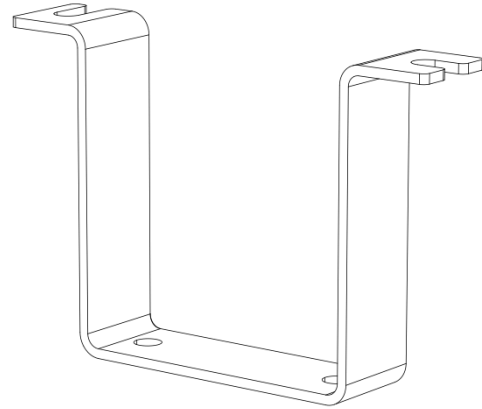
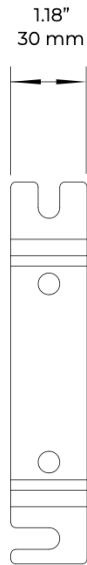


PRODUCT DIMENSIONS



SPECIFICATIONS

PRODUCT NAME:	Ceiling Mount Bracket
PART NUMBER:	BE-LN06-CM
WEIGHT:	1 Lb (0.45 Kg)
DIMENSIONS:	5.9"x1.18"x3.93" (150mm x30mm x100mm)
OPTIONS:	BE-LN06

LED[®] **RUGGED PRODUCTS**
IN ACTION **FOR HARSH ENVIRONMENTS**