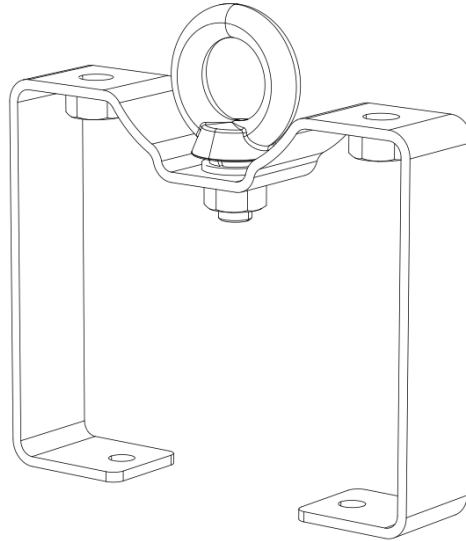
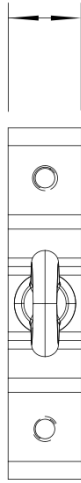
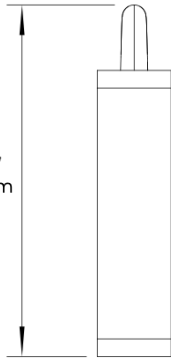


PRODUCT DIMENSIONS

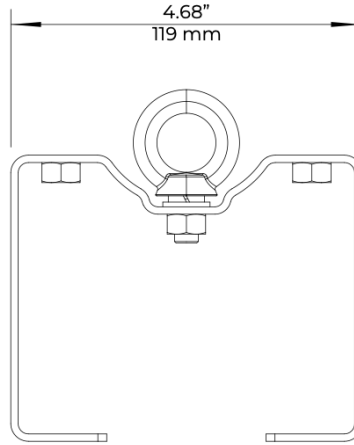
0.98"
25 mm



4.68"
119 mm



4.68"
119 mm



SPECIFICATIONS

PRODUCT NAME:	Loop Mount
PART NUMBER:	BE-LN06-LM
WEIGHT:	0.8 Lb (0.36 Kg)
DIMENSIONS:	4.68"x.98"x4.68" (119mm)
OPTIONS:	BE-LN06

LED[®] **RUGGED PRODUCTS**
IN ACTION **FOR HARSH ENVIRONMENTS**