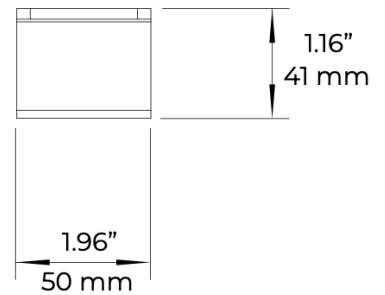
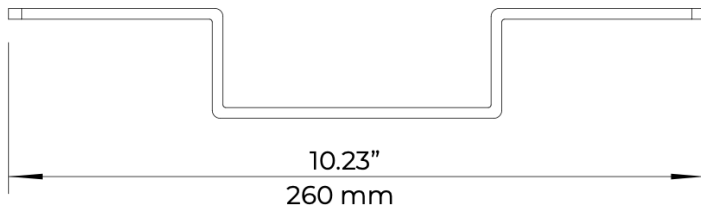
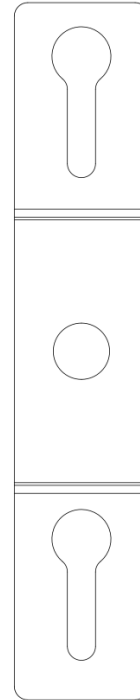
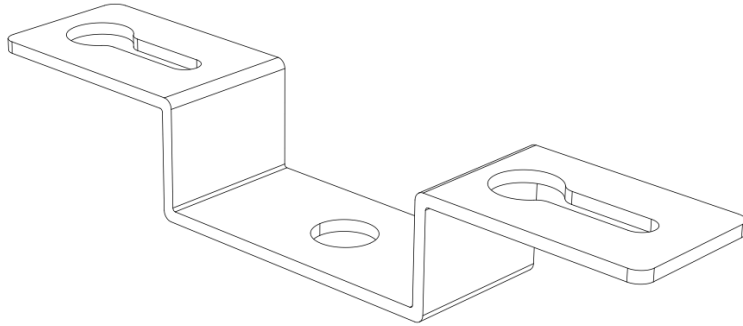


## PRODUCT DIMENSIONS



### SPECIFICATIONS

PRODUCT NAME:	Bracket 21
PART NUMBER:	21
WEIGHT:	1.2 Lbs (0.54 Kgs)
DIMENSIONS:	10.23"x1.96"x1.16" (260mmx50mmx41mm)
OPTIONS:	BE-HCP06

**LED**<sup>®</sup> **RUGGED PRODUCTS**  
**IN ACTION** **FOR HARSH ENVIRONMENTS**