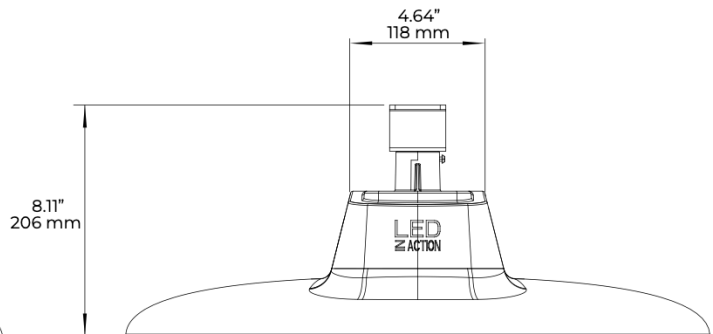
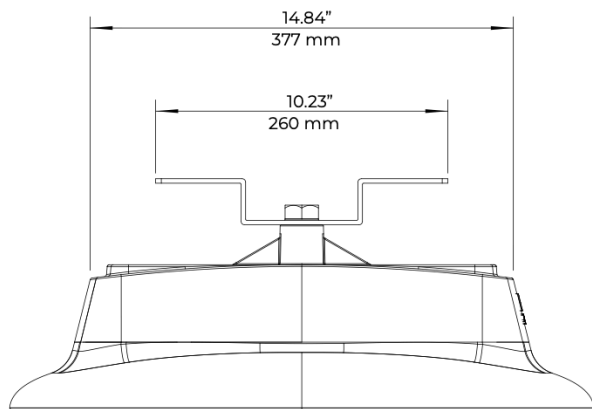
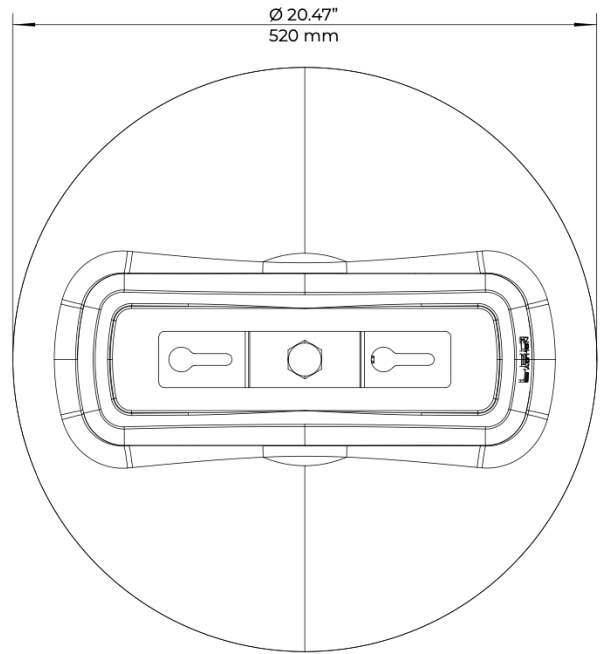
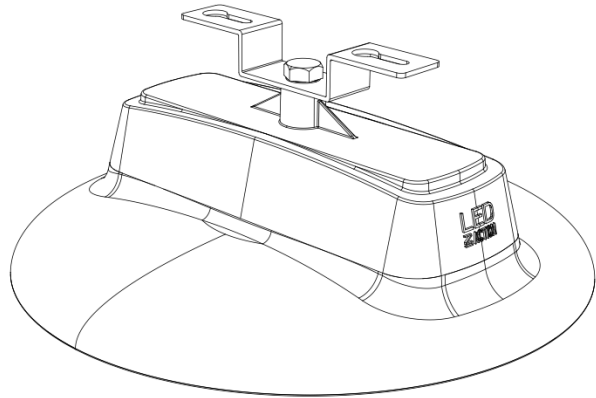


PRODUCT DIMENSIONS



SPECIFICATIONS

PRODUCT NAME:	BE-HCP06
PART NUMBER:	BE-HCP06-21
WEIGHT:	22.2 Lbs (10.07 Kgs)
DIMENSIONS:	20.47"x20.47"x8.11" (520mmx520mm206mm)
OPTIONS:	Bracket 21

LED[®] **RUGGED PRODUCTS**
IN ACTION **FOR HARSH ENVIRONMENTS**