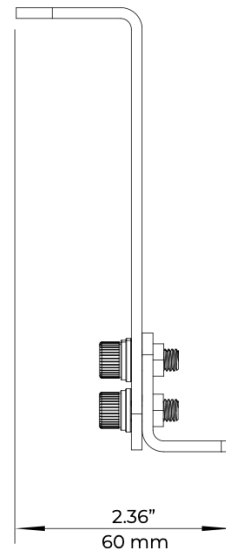
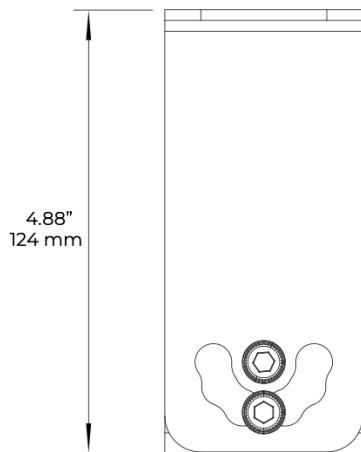
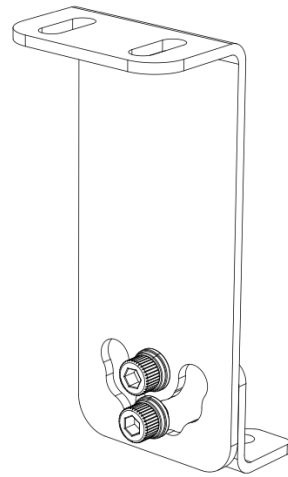
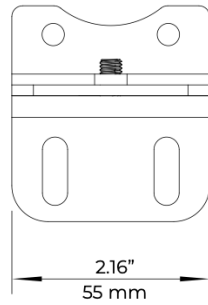


## PRODUCT DIMENSIONS



### SPECIFICATIONS

PRODUCT NAME:	Adjustable Wall/Hanging Bracket
PART NUMBER:	WHT
WEIGHT:	1 Lb (0.45 Kg)
DIMENSIONS:	2.16"x2.36"x4.88" (55mm x60mm x124mm)
OPTIONS:	BE-EXP-1319C

**LED**<sup>®</sup> **RUGGED PRODUCTS**  
**IN ACTION** **FOR HARSH ENVIRONMENTS**