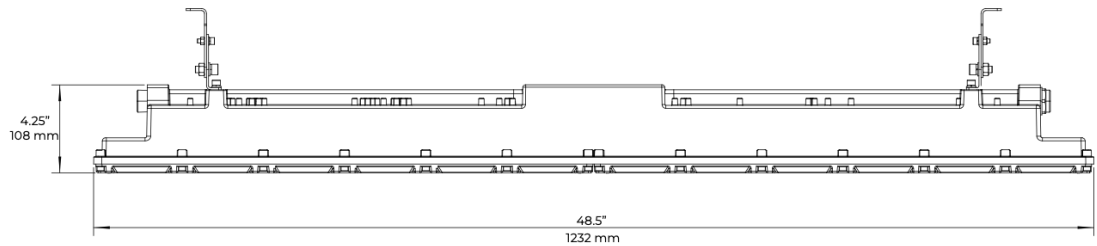
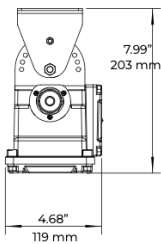
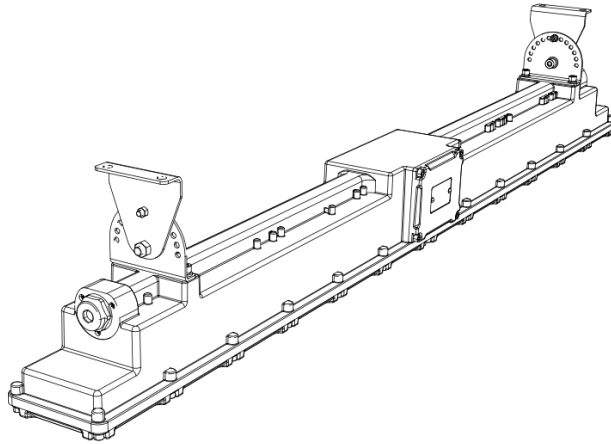
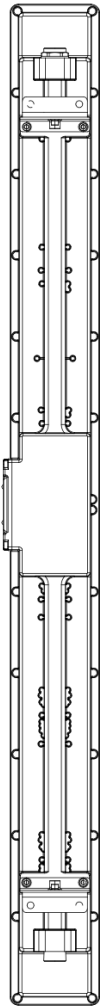


## PRODUCT DIMENSIONS

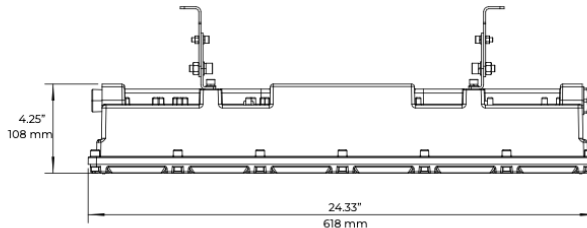
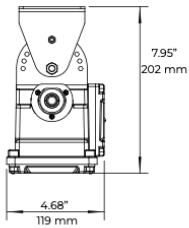
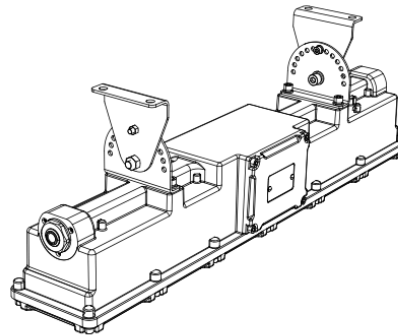


### SPECIFICATIONS

PRODUCT NAME:	BE-LN06-4FT
PART NUMBER:	BE-LN06-AB
WEIGHT:	11.98 Lbs (5.43 Kgs)
DIMENSIONS:	48.5'x4.68"x7.99" (1232mm x119mm x203mm)
OPTIONS:	BE-LN06

**LED** <sup>®</sup> **RUGGED PRODUCTS**  
**IN ACTION** **FOR HARSH ENVIRONMENTS**

## PRODUCT DIMENSIONS



### SPECIFICATIONS

PRODUCT NAME:	BE-LN06-2FT
PART NUMBER:	BE-LN06-AB
WEIGHT:	8.46 Lbs (3.83 Kgs)
DIMENSIONS:	24.33"x4.68"x7.95" (618mm x119mm x202mm)
OPTIONS:	BE-LN06

**LED**<sup>®</sup> **RUGGED PRODUCTS**  
**IN ACTION** **FOR HARSH ENVIRONMENTS**