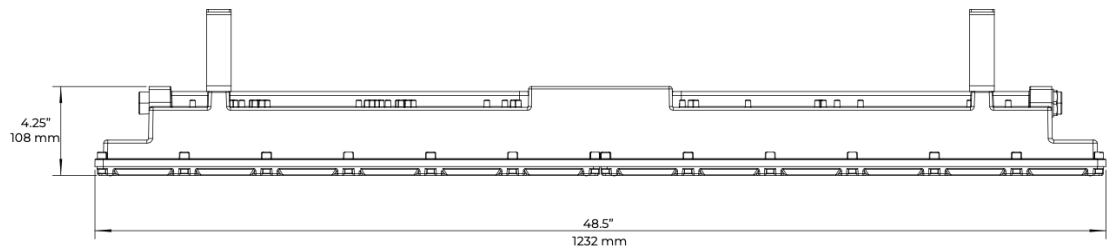
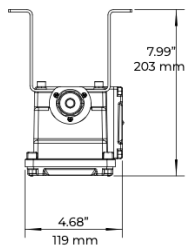
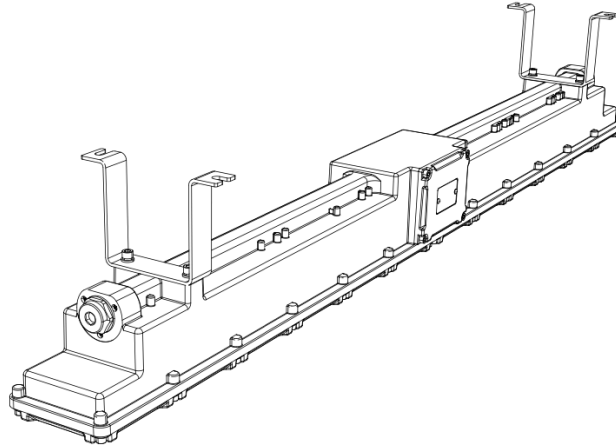
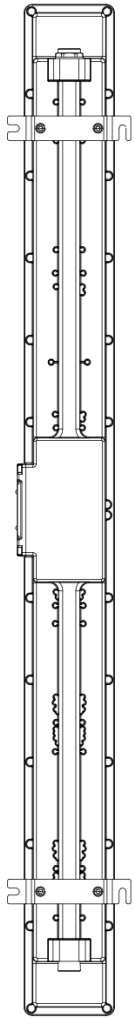


PRODUCT DIMENSIONS

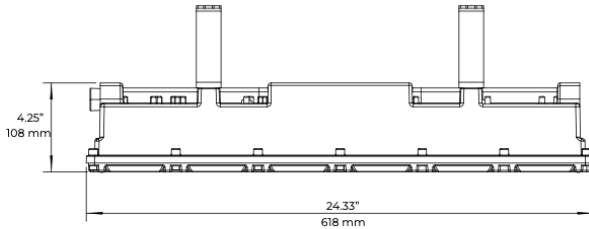
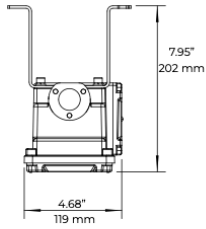
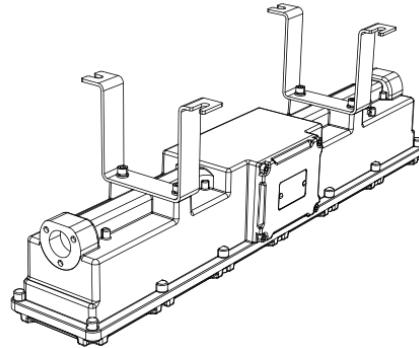
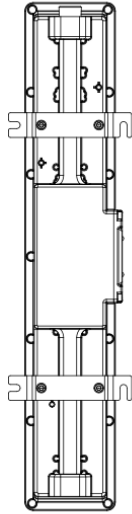


SPECIFICATIONS

PRODUCT NAME:	BE-LN06-4FT
PART NUMBER:	BE-LN06-CM
WEIGHT:	10.78 Lbs (4.9 Kgs)
DIMENSIONS:	48.5"x4.68"x7.99" (1232mm x119mm x203mm)
OPTIONS:	Ceiling Mount Bracket

LED
IN ACTION[®] **RUGGED PRODUCTS**
FOR HARSH ENVIRONMENTS

PRODUCT DIMENSIONS



SPECIFICATIONS

PRODUCT NAME:	BE-LN06-2FT
PART NUMBER:	BE-LN06-CM
WEIGHT:	7.26 Lbs (3.3 Kgs)
DIMENSIONS:	24.33"x4.68"x7.95" (618mm x119mm x202mm)
OPTIONS:	Ceiling Mount Bracket