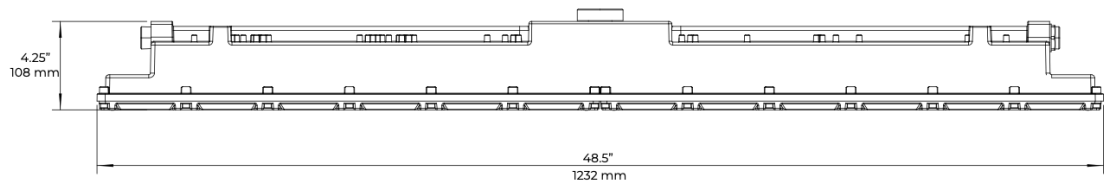
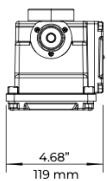
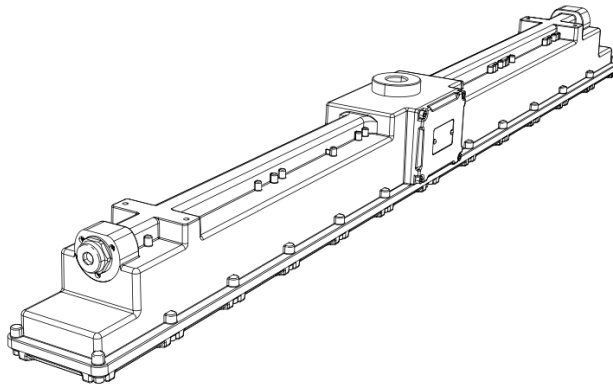
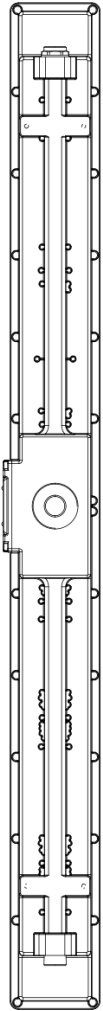


PRODUCT DIMENSIONS

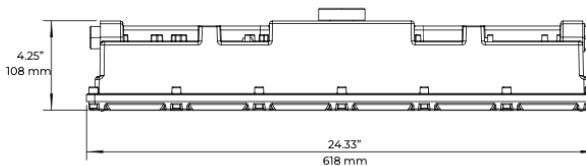
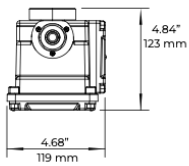
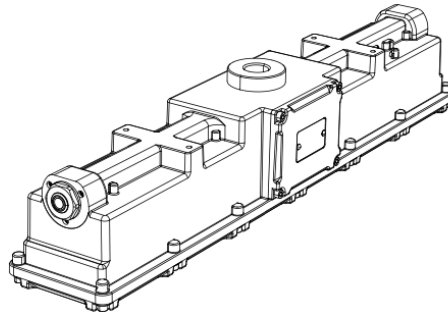
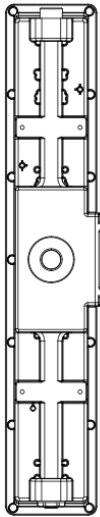


SPECIFICATIONS

PRODUCT NAME:	BE-LN06-4FT
PART NUMBER:	BE-LN06-3/4 NPT
WEIGHT:	10.78 Lbs (4.9 Kgs)
DIMENSIONS:	48.5'x4.68"x4.25" (1232mm x119mm x108mm)
OPTIONS:	BE-LN06

LED [®] **RUGGED PRODUCTS**
IN ACTION **FOR HARSH ENVIRONMENTS**

PRODUCT DIMENSIONS



SPECIFICATIONS

PRODUCT NAME:	BE-LN06-2FT
PART NUMBER:	BE-LN06-3/4 NPT
WEIGHT:	7.26 Lbs (3.3 Kgs)
DIMENSIONS:	24.33'x4.68"x4.25" (618mm x119mm x108mm)
OPTIONS:	BE-LN06

LED
IN ACTION[®] **RUGGED PRODUCTS**
FOR HARSH ENVIRONMENTS