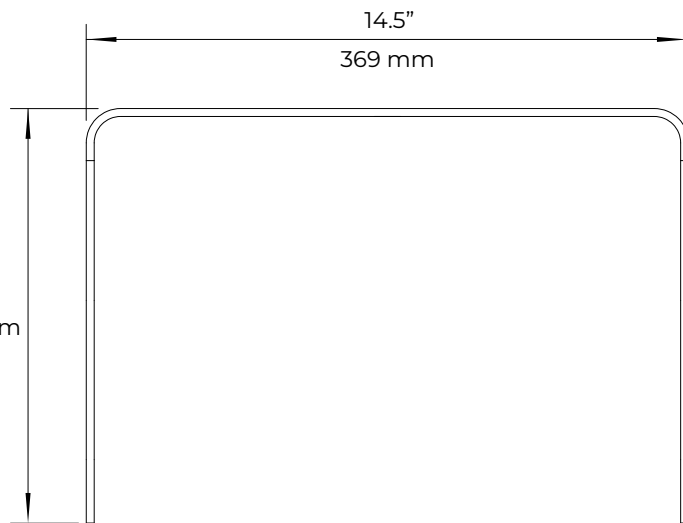
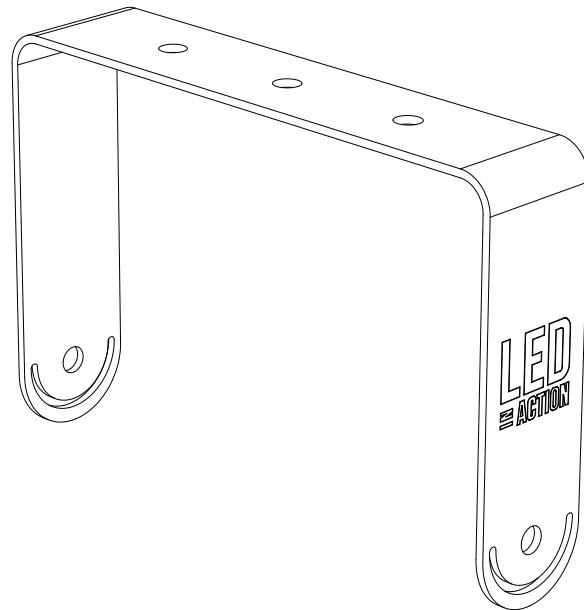
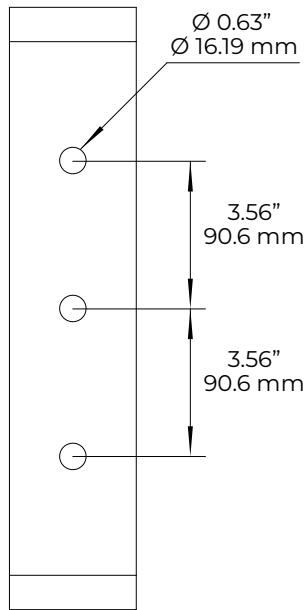


PRODUCT DIMENSIONS



SPECIFICATIONS

PRODUCT NAME:	Bracket 30
PART NUMBER:	BE-SL3-30
WEIGHT:	5.2 lbs (2.35 kgs)
DIMENSIONS:	14.5"x3"x10" (369mmx78mmx254mm)
OPTIONS:	BE-SL3