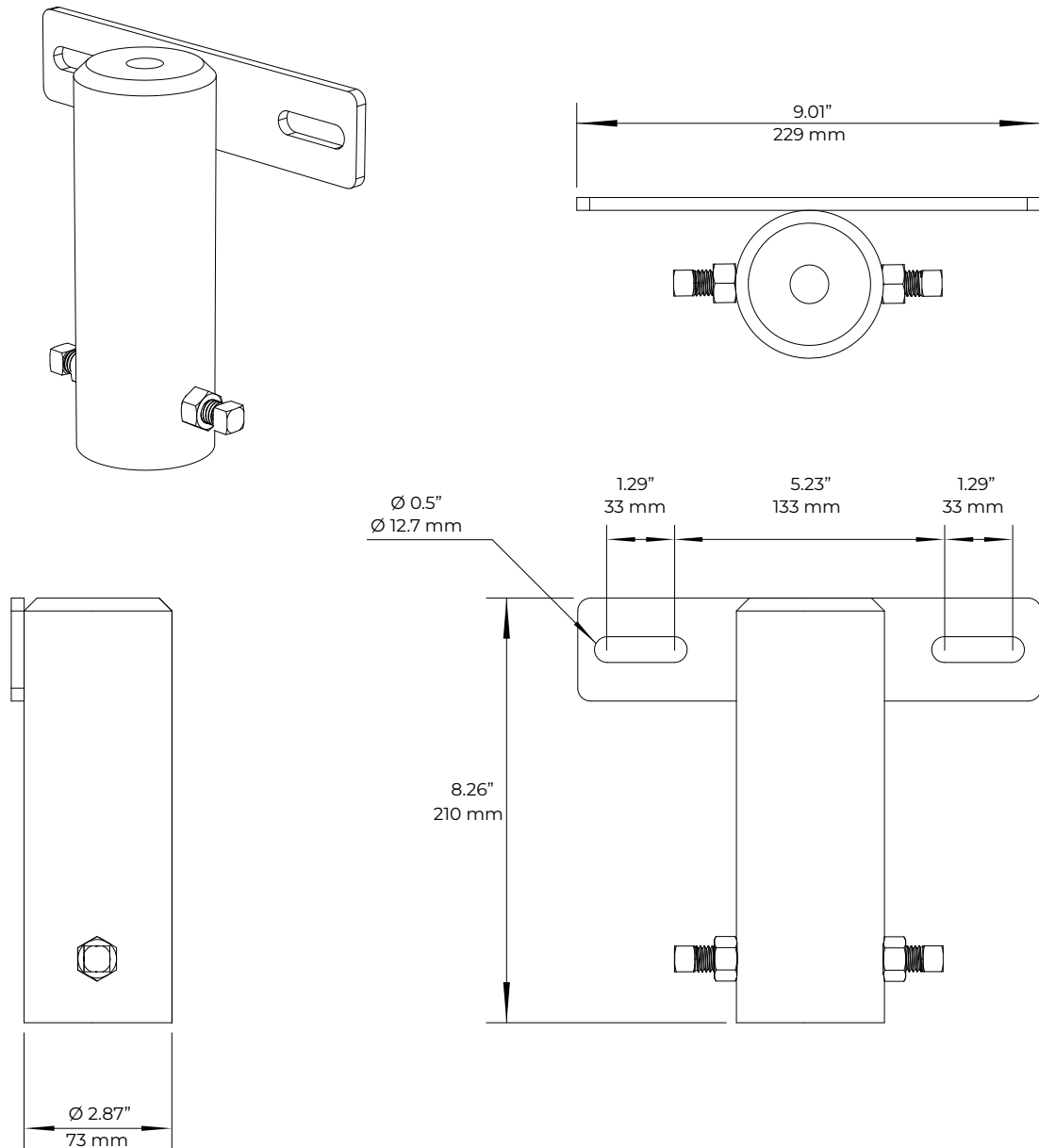


PRODUCT DIMENSIONS



SPECIFICATIONS

PRODUCT NAME:	Bracket 07 (Slip Fitter)
PART NUMBER:	BE-07
WEIGHT:	5.2 lbs (2.39 kgs)
DIMENSIONS:	9.01"x2.87"x8.26" (229mmx73mmx210mm)
OPTIONS:	BE-SL, BE-SL2, BE-SL3, BE-CHB, BE-SLD

LED [®] RUGGED PRODUCTS
IN ACTION FOR HARSH ENVIRONMENTS