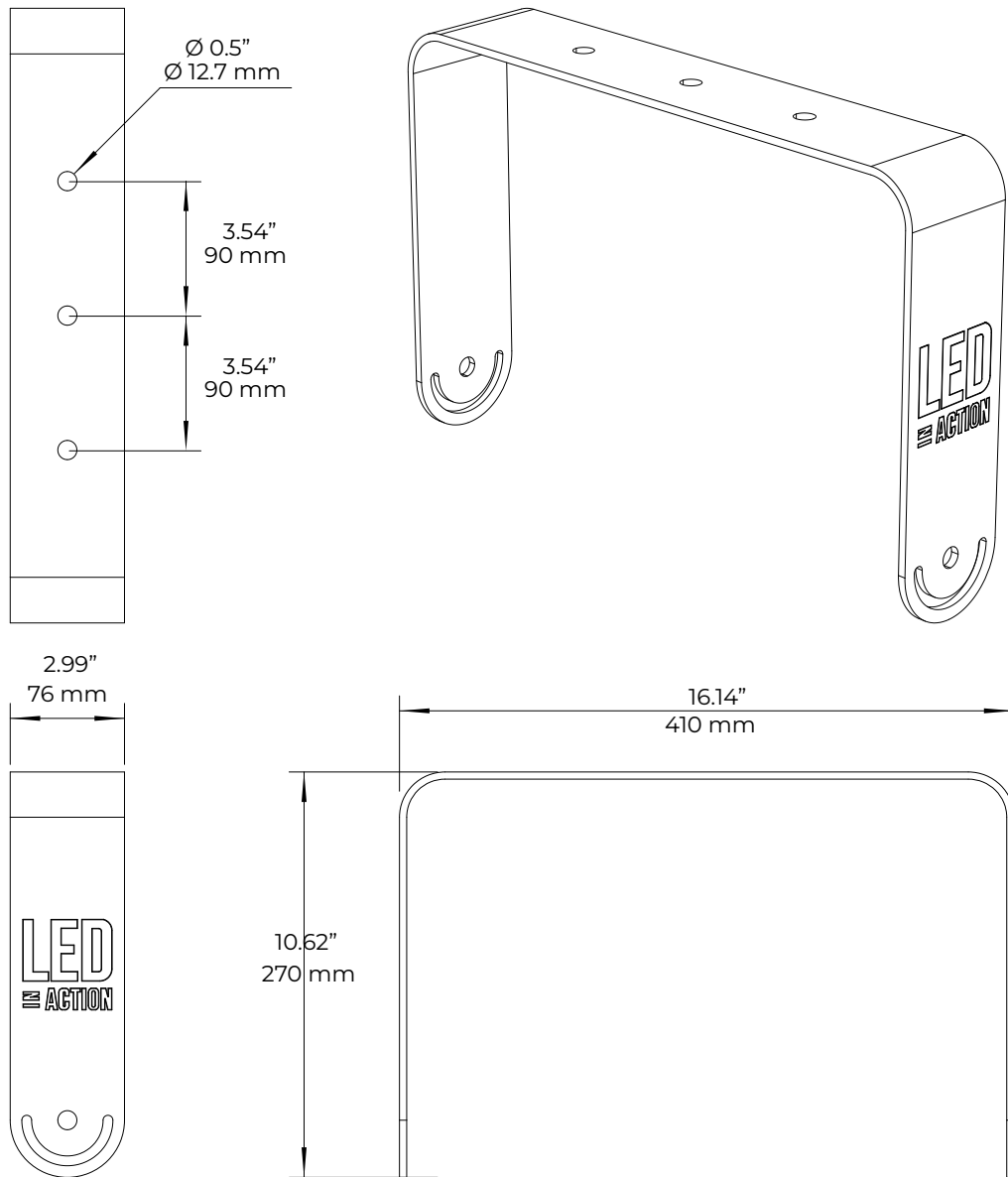


PRODUCT DIMENSIONS



SPECIFICATIONS

PRODUCT NAME:	Bracket 24
PART NUMBER:	BE-24
WEIGHT:	5.6 lbs (2.54 kgs)
DIMENSIONS:	16.14"x2.99"x10.62" (410mmx76mmx270mm)
OPTIONS:	BE-SL, BE-SL2