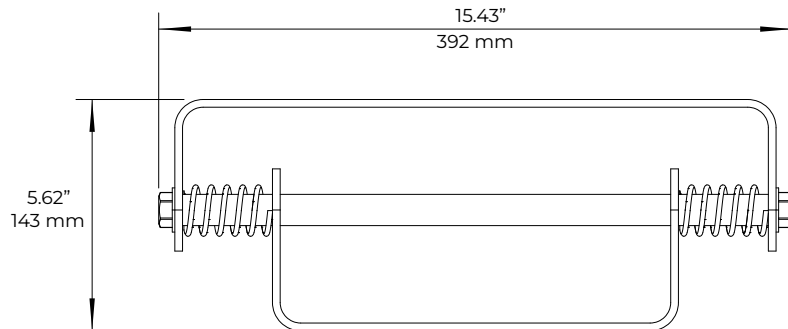
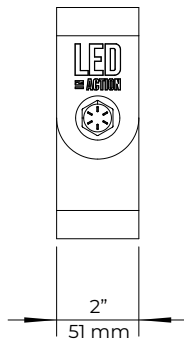
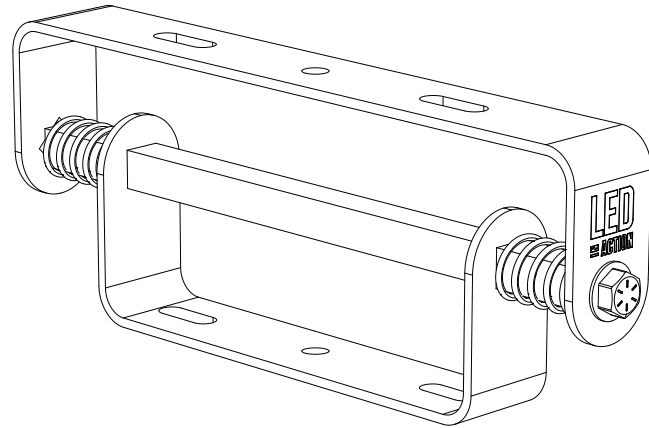
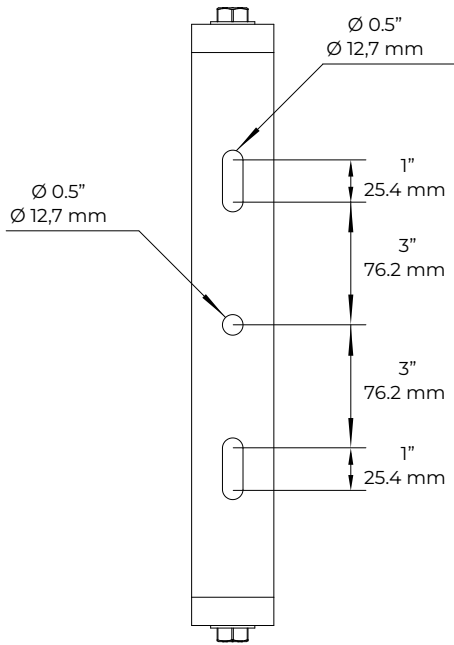


PRODUCT DIMENSIONS



SPECIFICATIONS

PRODUCT NAME:	Bracket 19
PART NUMBER:	BE-19
WEIGHT:	6.3 lbs (2.86 kgs)
DIMENSIONS:	15.43"x2"x5.62" (392mmx51mmx143mm)
OPTIONS:	BE-SL, BE-SL2, BE-SL3