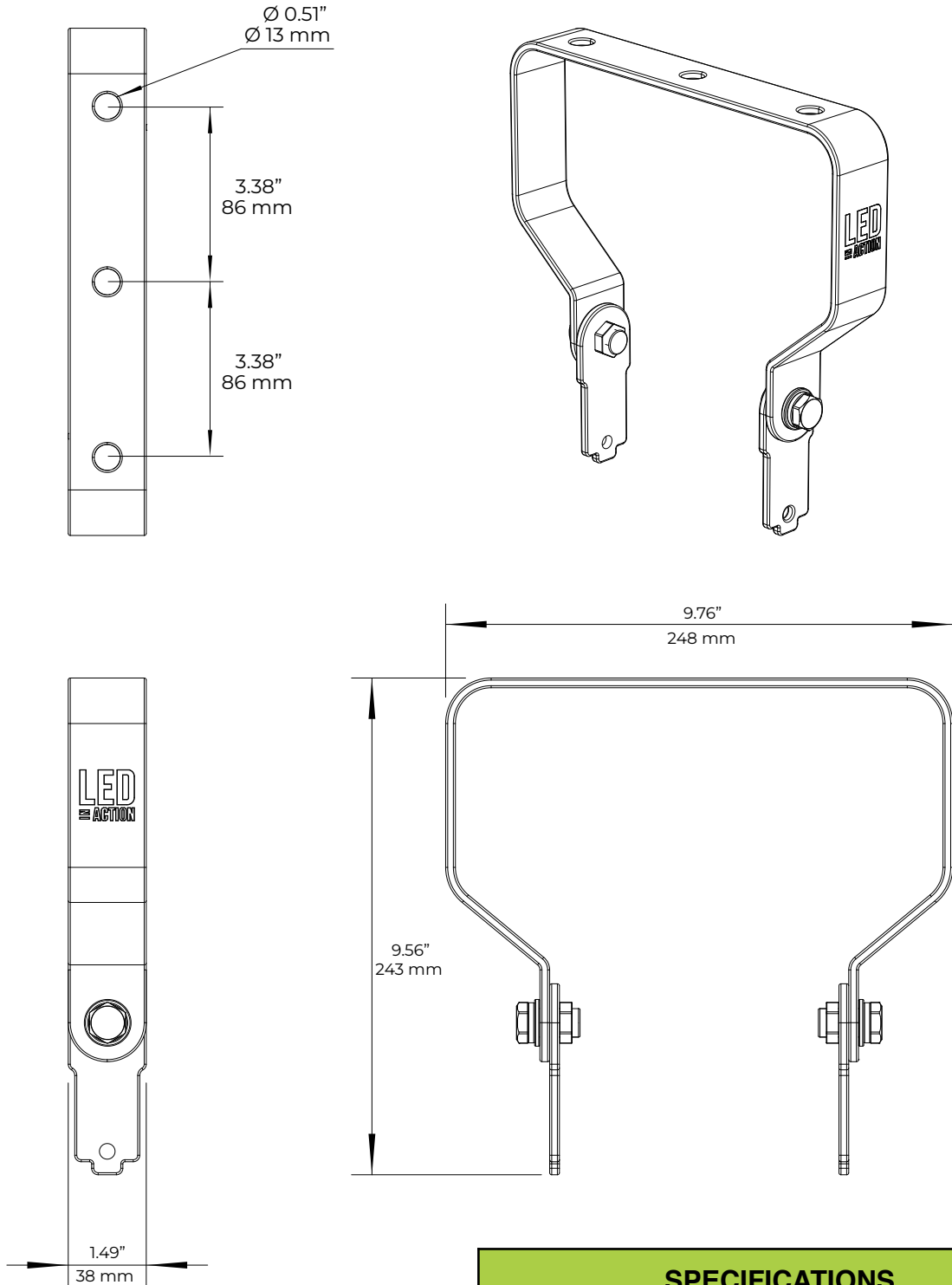


PRODUCT DIMENSIONS



SPECIFICATIONS

| | |
|---------------|--------------------------------------|
| PRODUCT NAME: | Bracket 22 |
| PART NUMBER: | BE-22 |
| WEIGHT: | 1.6 lbs (0.725 kg) |
| DIMENSIONS: | 9.76"x9.56"x1.49" (248mmx243mmx38mm) |
| OPTIONS: | BE-CHB-50W-70W-90W |

LED [®] RUGGED PRODUCTS
IN ACTION FOR HARSH ENVIRONMENTS