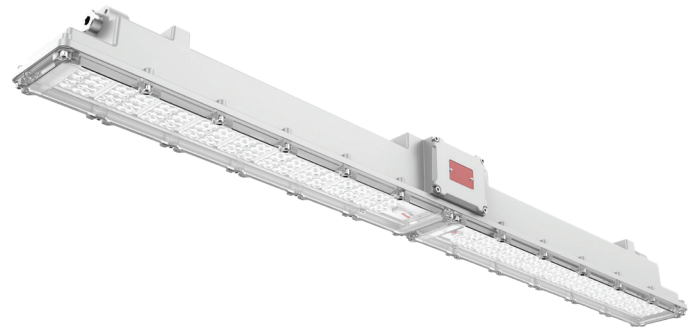


LINEAR HAZLOC LED
CID2 / CIID2 / CIII

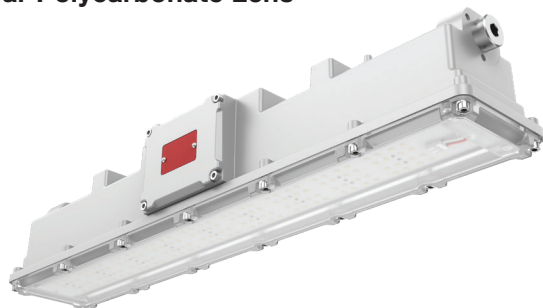
The EXP-LN06 linear fixture is hazardous rated with NEMA 4X and marine grade ratings suitable for indoor or outdoor harsh environments. This LED flood light fixture has classification ratings of CID2, CIID2, and CIII.

Ideal for petrochemical complexes, offshore platforms, oil and gas refineries, and more.



KEY FEATURES:

- **Fiberglass Reinforced Polycarbonate**
- **2' Weight: 7 Pounds / 4' Weight: 11 Pounds**
- **CID2, CIID2, CIII (Inquire for CID1 Options)**
- **IP66 / NEMA 4X / UL1598A Marine Grade**
- **HV up to 480 Vac / Built-In 10kA Surge Protection**
- **Emergency Battery Backup 9W at 1.5 Hours**
- **Waterproof, Dust-Proof, Anti-Corrosion & Shock Resistance**
- **Clear Polycarbonate Lens**



Scan QR Code Now For 2D/3D Drawings, IES Files, Spec Sheets & More

SPECIFICATIONS

Luminous Efficacy	150 lm/W
CCT	5000K, Other Options Available
CRI	Ra 70
Input Voltage	LV: 120-277Vac HV: 277-480Vac
IP Rating	IP66 / NEMA 4X / IK08
Lens Degree	D146 Other Options Available
Operating Temp.	-40°C ~ +65°C / -40°F ~ +149°F
Mounting Options	Ceiling, Adjustable Bracket, Conduit, Loop, 3/4" Stem Mount
Driver	Inventronics
Chipset	Lumileds
Warranty	5 Year Warranty
Certifications	UL, cUL
Classifications	CID2 Group A, B, C, D CIID2 Group F, G CIII

LUMENS	WATTAGE	SIZE
14,000 lm	100W	4 FT
11,200 lm	80W	4 FT
8,400 lm	60W	4 FT
5,600 lm	40W (LV Only)	2 FT
4,500 lm	30W (LV Only)	2 FT